

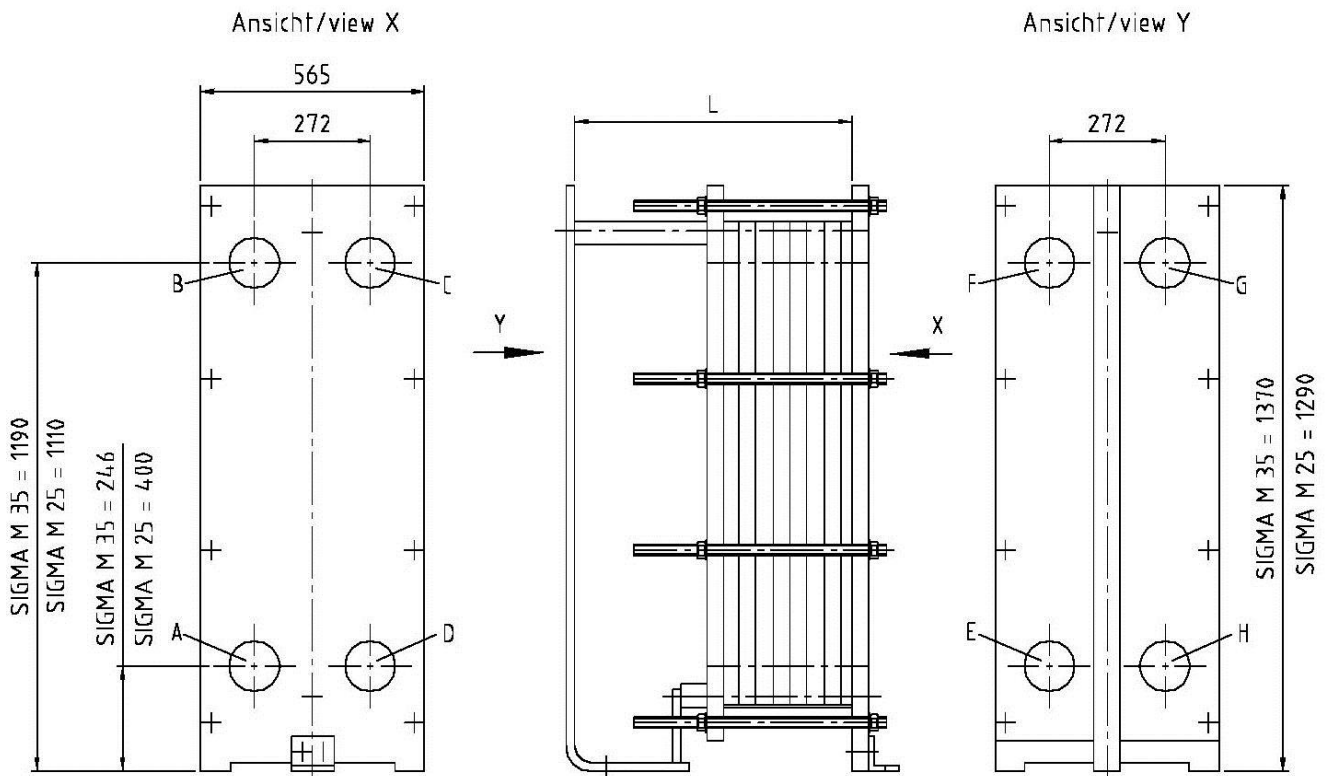
Schmidt



SIGMA M25 / M35
PLATE HEAT
EXCHANGER

API HEAT
TRANSFER 

PERFORMANCE IS EVERYTHING



- A new addition to the Schmidt SIGMAFIT series for flows up to 200 m³/h.
- Heat transfer surface up to 200 m² per unit.
- Operating pressures up to 25 barg.
- For all process industries, especially food, beverage and HVAC.
- For high viscosity products with max. particle size up to 2 mm.
- Available in all current plate and gasket materials.
- Using the Schmidt SIGMAFIX gasket system ensures high pressure resistance up to 25 barg with glue free gasket fixing.
- Plate heat transfer areas (M25 / M35) m² 0,25 / 0,36
Nozzle size DN 100 / 100
- 'Fishbone' corrugation pattern for high, medium and low heat transfer characteristics.

2016