

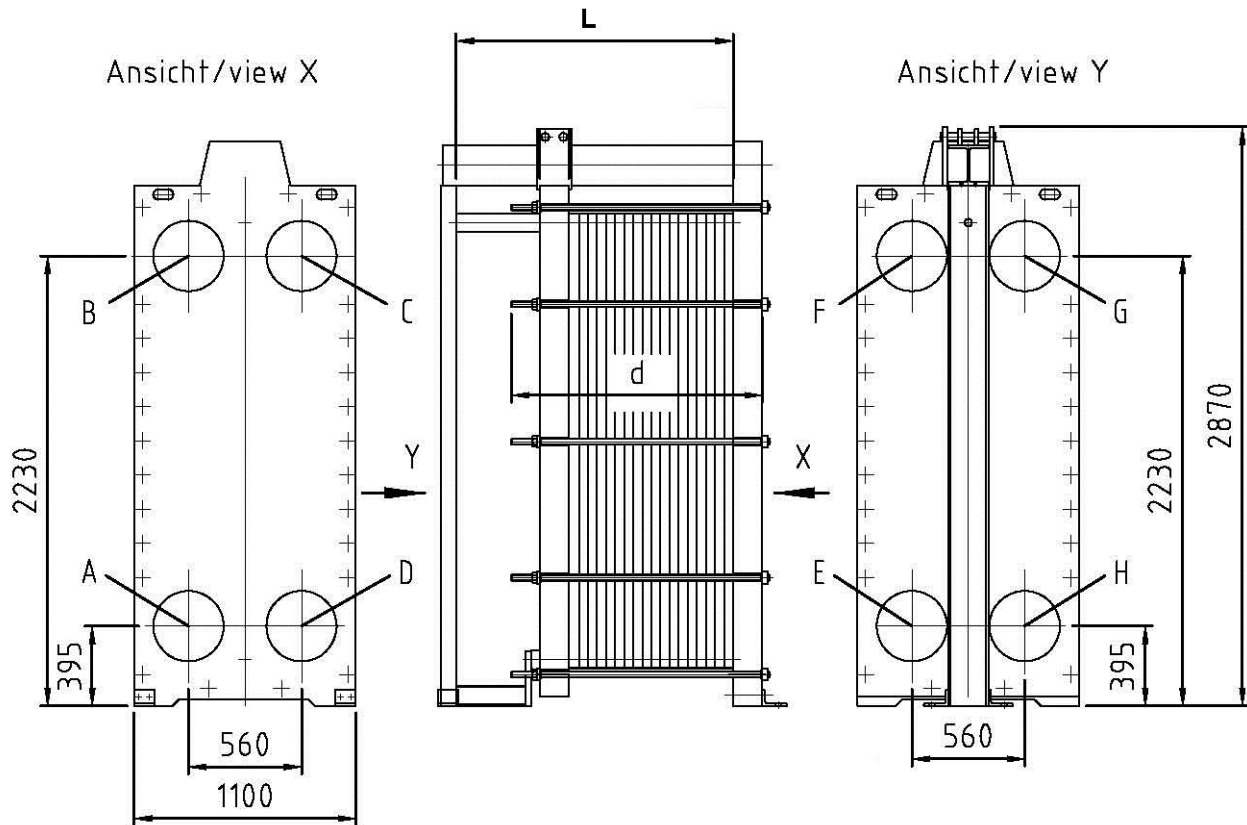
Schmidt



**SIGMA M156
PLATE HEAT
EXCHANGER**

API HEAT TRANSFER 

PERFORMANCE IS EVERYTHING



- New type of plate heat exchanger in the SIGMAFIT series for the thermal treatment of liquids up to 2,200 m³/h.
- Heat-exchanging surface up to 1.000 m² in one unit.
- For particle sizes up to 3 mm and viscosities up to 10,000 cP.
- Suitable for all industrial applications, especially for the process industry and power plants as well as in the HVAC sector.
- Available in all current plate and gasket materials
- Equipped with the SIGMAFIX-gasketing system. The adhesive free economical gasket fixing system guarantees a high operational reliability for pressures up to 25 bar.
- Gasket changes are now simple and quick.
- Surface area / plate m² 1,65
Nozzle size DN 350
- Different plate corrugation patterns in the approved fishbone design with hard, medium and soft thermodynamic plate characteristics.
- Short delivery times.